

Z8536NMR | Z8000NMR series

36-Channel 4K&H.265+ Network Video Recorder



Features

- H.265+/H.265/H.264+/H.264 Decoding
- Support 36CH 4K Resolution Preview and Playback
- Support HDMI up to 4K output
- DHCP, FTP, DNS, DDNS, NTP, UPNP, RTSP etc.
- ONVIF Profile S Compatible
- Cloud Service, P2P
- Mobile phone remote monitoring (iOS, Android)
- Multi-browser access (IE, Chrome, Firefox, Safari)



System Overview

ZKTeco Z8000NMR series could deliver up to 4K resolution excellent image over advanced H.265+ decoding. It's the ideal consideration for the balance of quality, performance and budget.

The friendly GUI provides intuitive shortcut operations, remote control and management, flexible storage and playback. It's widely used for the government, banking sectors, manufacturers, educational or commercial projects.

Powered by the strong interoperability and Onvif Profile S, it's compatible with plenty of 3rd party IPC or crossing platform VMS.

Functions

Up to 4K Resolution Preview or Playback

IVA (Intelligent Video Analysis) supported, it allows detecting multiple object behaviors, like target counting, tripwire, intrusion, objects left/missing.

HDD Quota

Flexibly assign the specified channels to be recorded in the appointed HDD.

AntarView Pro

Flexibly and remotely monitoring at anytime or anywhere with AntarView Pro APP.

Technical Parameters

Model	Z8536NMR
-------	----------

System

Processor	Multi-core Embedded Processor
Operation System	Embedded Linux

IVA

Local IVA Functions	Target Counting, Object Abandon/Missing, Intrusion, Tripwire, Video Shelter, Scene change
Regular Detection	Motion Detection/Video Tampering/Video Loss

I/O Port and Storage

Network Interface	2 RJ-45 port(100/1000Mbps)
USB	1*USB 2.0, 1*USB 3.0
HDMI	1*4K HDMI
VGA	1*VGA
Alarm Input	4
Alarm Output	1
HDD	4 SATA, up to 8TB capacity for each HDD

Playback and Backup

Playback Channel	16
Search Mode	IVA Search/Time/Motion Detection
Playback Function	Play, Stop, Play forward, Play backward, 30 seconds forward, 30 seconds backward, Fast play, Slow play, Single frame play, Hide/Show the time bar, Backup, Snapshot, Full screen
Backup Mode	USB device/Network

Video/Audio

Max. IPC Input	36
Audio Compression	G.711a
Two-way Talk	1 Channel Input, 1 Channel Output, RCA

Recording

Video Compression	H.265+/H.265/H.264+/H.264
Recording Resolution	8MP/5MP/3MP/1080P/960P/720P
Max. Decoding	8MP@25fps/30fp
Incoming Bandwidth	216Mbps
Bitrate	16K-32Mbps
Record Mode	Manual/External Alarm/Motion/Scheduled/IVA Alarm

Network

Network Protocol	TCP/IP, HTTP, DDNS, SMTP(SSL), DHCP, PPPoE, UPnP, NTP, P2P
Max. Online User	5
Mobile App	AntarView Pro
Interoperability	Onvif Profile S, SDK

Power

Power supply	DC 12V5A
Consumption	35W(Without HDD)

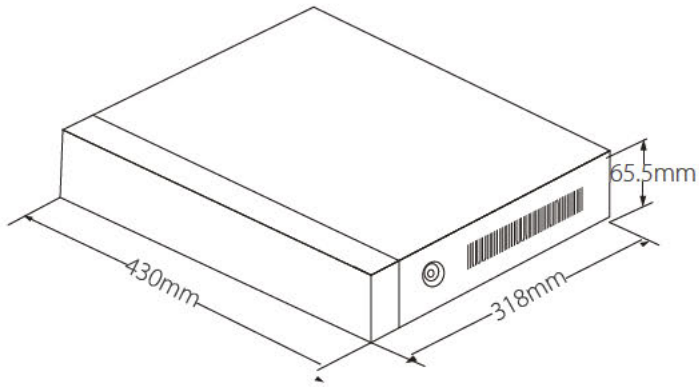
General

Working Temperature	-10 C ~+55 C
Working Humidity	10~90%
Dimensions	430mm*318mm*65.5mm
Net Weight	5.5KG
Gross Weight	6KG

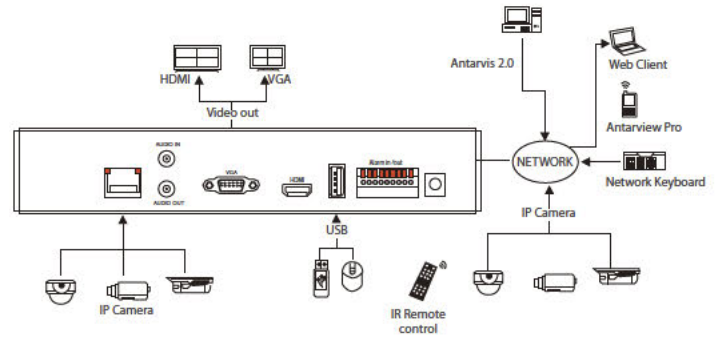
Ordering Information

Typ	Part Number	Description
Non PoE NVR	Z8536NMR	36 channel 4 SATA NVR

Dimensions (mm)



Rear Panel



www.zkteco.technology

