

Z8504/08NER-4P/8P | Z8000NVR-P series

4/8-Channel H.265+ Network Video Recorder



Features

- H.265+/H.265/H.264+/H.264 Decoding
- Support 4/8CH 5MP Resolution Preview and Playback
- Support HDMI up to 1080P output
- DHCP, FTP, DNS, DDNS, NTP, UPNP, RTSP etc.
- ONVIF Profile S Compatible
- Cloud Service, P2P
- Mobile phone remote monitoring (iOS, Android)
- Multi-browser access (IE, Chrome, Firefox, Safari)



System Overview

ZKTeco Z8000NER-P series could deliver up to 5MP resolution excellent image over advanced H.265+ decoding. It's the ideal consideration for the balance of quality, performance and budget.

The friendly GUI provides intuitive shortcut operations, remote control and management, flexible storage and playback. It's widely used for the government, banking sectors, manufacturers, educational or commercial projects.

Powered by the strong interoperability and Onvif Profile S, it's compatible with plenty of 3rd party IPC or crossing platform VMS.

Functions

Up to 1080P Resolution Preview or Playback

IVA (Intelligent Video Analysis) supported, it allows detecting multiple object behaviors, like target counting, tripwire, intrusion, objects left/missing.

HDD Quota

Flexibly assign the specified channels to be recorded in the appointed HDD.

AntarView Pro

Flexibly and remotely monitoring at anytime or anywhere with AntarView Pro APP.

Technical Parameters

Model	Z8504NER-4P	Z8508NER-8P
-------	-------------	-------------

System

Processor	Multi-core Embedded Processor
Operation System	Embedded Linux

I/A Alarm

Local IVA Functions	Up to IPC
Regular Detection	Motion Detection/Video Tampering/Video Loss

I/O Port and Storage

Network Interface	1 RJ-45 port(10/100Mbps)
USB	2*USB 2.0
HDMI	1*1080P HDMI
VGA	1*VGA
Alarm Input	N/A
Alarm Output	N/A
HDD	1 SATA, up to 8TB capacity for each HDD
RAID	N/A
PoE Ports	4 8

Playback and Backup

Playback Channel	4
Search Mode	IVA Search/Time/Motion Detection
Playback Function	Play, Stop, Play forward, Play backward, 30 seconds forward, 30 seconds backward, Fast play, Slow play, Single frame play, Hide/Show the time bar, Backup, Snapshot, Full screen
Backup Mode	USB device/Network

Video/Audio

Max. IPC Input	4	8
Audio Compression	G.711a	
Two-way Talk	N/A	

Recording

Video Compression	H.265+/H.265/H.264+/H.264
Recording Resolution	5MP/3MP/1080P/960P/720P
Max. Decoding	5MP@25fps/30fp
Incoming Bandwidth	40Mbps
Bitrate	16K~8Mbps
Record Mode	Manual/External Alarm/Motion/Scheduled/IVA Alarm

Network

Network Protocol	TCP/IP, HTTP, DDNS, SMTP(SSL), DHCP, PPPoE, UPnP, NTP, P2P
Max. Online User	5
Mobile App	AntarView Pro
Interoperability	Onvif Profile S, SDK

Power

Power supply	DC 48V1.5A	DC 48V2.5A
Consumption	≤15W(Without HDD)	

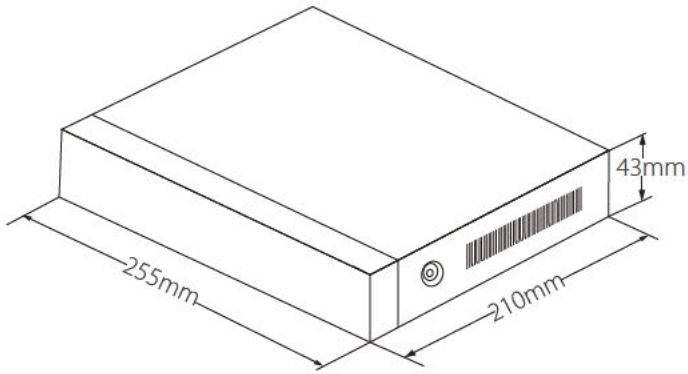
General

Working Temperature	-10°C ~+55°C
Working Humidity	10~90%
Dimensions	255mm*210mm*43mm
Net Weight	2.5KG
Gross Weight	3KG

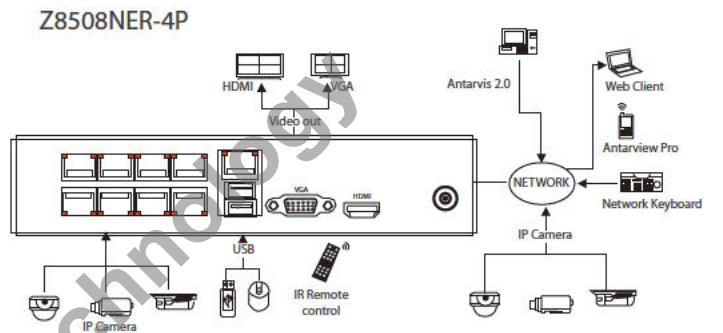
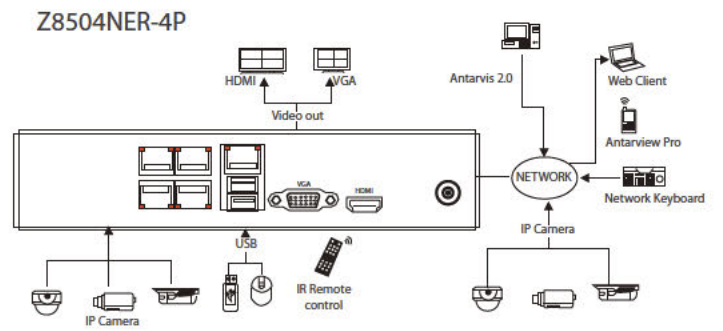
Ordering Information

Type	Part Number	Description
PoE NVR	Z8504NER-4P	4 channel 1 SATA PoE NVR
	Z8508NER-8P	8 channel 1 SATA PoE NVR

Dimensions (mm)



Rear Panel



www.zkteco.com

