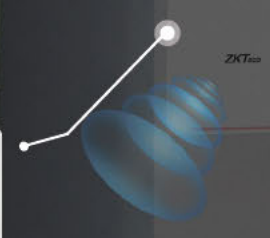




UHF5 Pro



UHF10 Pro



UHF5 Pro and UHF10 Pro are ZKTeco's third-generation UHF readers, with much stable performance, longer reading distance, and faster recognition speed.

The UHF reader is equipped with the passive UHF card function, which could be widely used in Vehicle Management and Personnel Management applications.

The product also meets the CE, FCC technology requirements.

Features

- Support two working modes: Trigger to Read & Always Read (Default)
- Support different wiegand data output (Wiegand 26 by default)
- LED at the bottom of readers indicating the reading status



(7-color indicators: red, green, blue, yellow, cyan, purple, white)

- Multiple communication modes, supporting Wiegand and RS485
- Protection level of IP66



Long distance fixed vehicle access management



Non-contact access control management

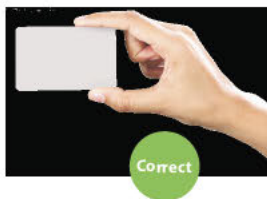


Long distance pedestrain access management

Specifications

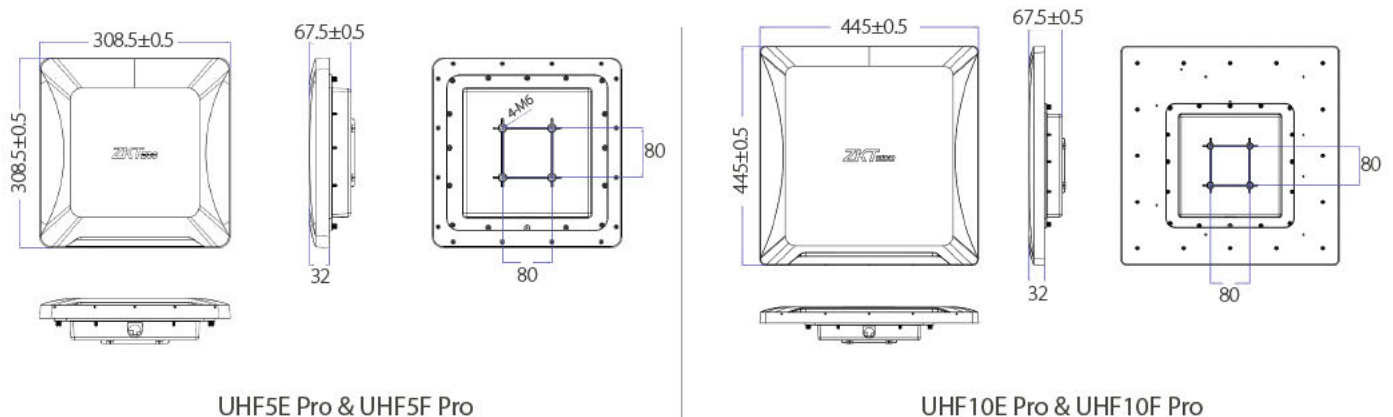
Model	UHF5E Pro & UHF5F Pro	UHF10E Pro & UHF10F Pro
Reading Distance	2 to 8 meters (Hand held test) (Actual scenario test is around 4m)	10 to 20 meters (Hand-held test) (Actual scenario test is around 8m)
Antenna Gain	9dBi	12dBi
Dimensions (mm)	308.5 * 308.5 * 67.5	445 * 445 * 67.5
Weight	1.8kg	3kg
Power	1.2 - 4.2W	1.2 - 4.5W
Frequency	E: 865MHz - 868MHz F: 902MHz - 906MHz (adjustable)	
Communication Interface	Wiegand; RS485; USB configuration parameters (Wiegand, RS485 requires one of two options)	
Interface Protocol	EPC global UHF Class 1 Gen 2 / ISO 18000-6C	
Working Mode	Read Always (Default) and Read by Trigger	
Output Power	19dBm - 30dBm	
Protection Level	IP66	
Working Voltage	DC 9-15V	
Working Temperature and Humidity	-20°C - 65°C; <85%	
Storage Temperature and Humidity	-20°C - 80°C; <85%	
RS485 Communication	Optional baud rate (9600, 19200, 38400, 57600, 115200); the default is 115200	

Note



Special note: UHF reader cannot penetrate V-KOOL, 3M, or other premium solar films that contain heavy metal to read cards from inside the car.

Dimensions (mm)



Wiring diagram



Related products

A15



Combining with the reader to manage access control

P10



Card issuer



The card number can be changed as required

VR10 radar



When the reader is in the trigger mode, it will activate the card reading function

