

ES-854N11/12H | E series

4MP IR Eyeball Network Camera



- 1/3" 4MP CMOS
- H.265 Dual-stream Encoding
- IR Effective Range 10~20m
- High Quality Optical Lens 2.8mm/3.6mm optional
- IVA (Smart Function) Supported
- Multiple Web Browser Supported, IE/Safari/Chrome/Firefox
- P2P Cloud Function By Mobile App (AntarView Pro)
- Lightning Protection Up to 6KV
- IP67 Ingress Protection
- Built-in PoE



System Overview

E series 4MP IP cameras are cost-efficient solution which powered by H.265 and embedded face detection algorithm. It delivers crystal clear images and supports industry-leading IVA smart event alarm. Cloud function is built-in for every device, which is more convenient and exible for real-time and remote viewing.

Functions

H.265

Delivering high quality video with up to 70% bandwidth saving. H.265 is the evolutionary optimization of traditional H.264. The H.265 includes a series of encoding strategy such as Dynamic ROI-smart 2D&3D noise reduction.

IVA (Intelligent Video Analysis)

It allows detection on multiple object behaviors, such as Tripwire, Intrusion, Objects Detection and Target Counting etc.

Protection

With precise mechanical and rugged casing design, it stands against water and dust with industrial IP67 rank.

Supports $\pm 30\%$ input voltage tolerance, it could work safely in extreme unstable power condition.

With working temperature range -30°C to $+60^{\circ}\text{C}$, it works well in a variety of harsh outdoor environments.

Technical Parameters

Camera

Model	ES-854N11H	ES-854N12H	Flash/DDR	16MB/256MB
Image Sensor	1/3" 4MP CMOS		S/N Ratio	More than 52dB
Min. Illumination	0.08Lux/F2.0 (color) 0 Lux with IR on		IR Distance	10~20m
Effective Pixels	2592(H)* 1520(V)		IR LED No.	1

Lens

Focal Length	2.8mm	3.6mm	FOV	100°	89°
Aperture	F2.0				

Video

Compression	H.265 / H.264		WDR	120dB
Resolution	4MP(2592*1520 / 2560*1440 / 2048*1520)/ 1080(1920*1080)1.3MP(1280*960)/720P(1280*720) D1(720*576)/VGA(620*480)/CIF(352*288)		Day/Night	Auto(ICR)/Color/B/W
Bit Rate Control	CBR/VBR		White Balance	Supported
Bit Rate	116Kbps-32Mbps		Defog	Supported
Streaming	Dual stream		Noise Reduction	3D DNR
Frame Rate	Main stream: 2592*1520(1-25/30fps) Sub stream: 720*576(1~25/30fps)		Mirror	Supported
Digital Zoom	12x		Flip	Supported
Audio Compression	G.711u		BLC	Supported
			ROI	Support 4 fixed region for main stream and sub stream separately
			Anti-flicker	Supported
			Privacy Mask	4 Areas

Alarm & Audio

Video Detection	Motion Detection, Video Shelter	IVA	Face Detection/Tripwire/Intrusion/Abandon/ Missing/Target Counting/ Video Shelter
Audio	N/A		

Network

Ethernet	1 RJ-45 port(10/100Mbps)	Web Browsers	IE/Firefox/Chrome/Safari
Protocols	TCP/IP, UDP, HTTP, IGMP, ICMP, DHCP, RTP/RTSP, DNS, DDNS, FTP, NTP, PPPoE, UPNP, SMTP, SNMP	VMS	AntarVis 2.0
Onvif	Onvif Profile S	Mobile App	AntarView Pro
Max. Online Users	4	Platform	Mac OS/ Windows/iOS/Android

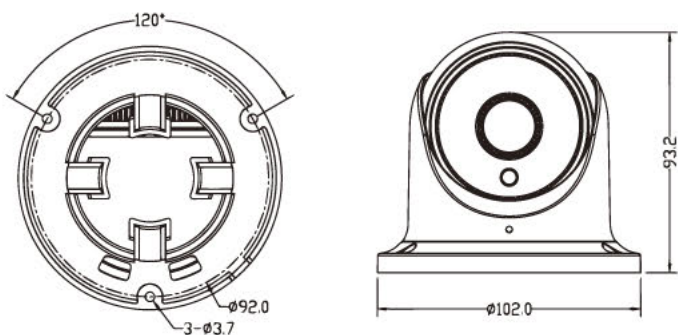
General

Working Temperature	-30°C~+60°C	Ingress Protection	IP67
Working Humidity	10~90%	Dimensions	Φ102*93.2mm
Power Supply	PoE, IEEE802.3af	Net Weight	0.36KG
	DC12V±10%	Gross Weight	0.44KG
Power Consumption	< 3W		

Ordering Information

Type	Part Number	Description
4MP Camera	ES-854N11H	4MP Network Camera(2.8mm Lens)
	ES-854N12H	4MP Network Camera(3.6mm Lens)

Dimensions (mm)



www.zkteco.com

