

Z8536NMR/NHR-4F | ZKBioFace Lite Series

4CH Facial Recognition+32CH Regular H.265 NVR



Features

- Support up to 36CH 4K cameras input, including 4CH facial recognition + 32CH regular monitoring/recording.
- Support up to 5,000 numerous face templates.
- Support NVR local IVA(Intelligent Video Analysis) function, such as Facial Recognition/Target Counting/Object Detection/Intrusion/Tripwire etc.
- Support IVA alarm linkage actions such as Email Alert, Buzzer Monitoring Center/FTP Upload/Remote IPC Alarm Output.
- Support cloud function.
- Strong interoperability to connect 3rd party IP cameras.



System Overview

ZKTeco Z8536NMR/NHR-4F series could deliver up to 4K resolution excellent image over advanced H.265+ decoding. Moreover It's one of the best ideal considerations for small-to-medium scale facial recognition surveillance and analysis project with ZKTeco industry-leading AI algorithm.

It supports 4CH facial recognition and 32CH regular monitoring/recording, which is flexible and budget saving to arm the appointed key regions for access control or area detection etc.with black/white list function.

Powered by the strong interoperability and Onvif Profile S, it's compatible with a plenty of 3rd party IPC to implement the facial recognition as well.

Functions

IVA functions (Intelligent Video Analysis)

Support Facial recognition/Target counting/Object detection/Intrusion/Tripwire/Scene Change/Video Tempering.

Numerous templates and accurate facial recognition

5,000 face templates and up to 98% facial recognition accuracy(ZKTeco Lab data).

User-friendly & full function VMS/mobile app

Black/White list alert and linkage actions.

Technical Parameters

Model	Z8536NMR-4F	Z8536NHR-4F
-------	-------------	-------------

System

Processor	Multi-core Embedded Processor
Operation System	Embedded Linux

Facial Recognition

Face Templates	5,000 pictures
Face Library	Black List/White List
Facial Recognition Channels	4 CH
Alarm Linkage Actions	Recording/Buzzer/Monitoring Center/FTP Upload/Email
Create Face Templates	Capturing by Preview/Import Face Database by USB Device
Matching Speed	3-4 Faces/Second
Search by Face	Supported

IVA Alarm

Local IVA Functions	Facial Recognition, Target Counting, Object Detection, Intrusion, Tripwire
Regular Detection	Motion Detection/Video Tampering/Video Loss

I/O Port and Storage

Network Interface	2 RJ-45 Port(100/1000Mbps)	
USB	2*USB 2.0, 1*USB 3.0	
HDMI	1*4K HDMI	
VGA	1*VGA	
Alarm Input	4 CH	
Alarm Output	1 CH	
RS-485	Supported	
HDD	4 SATA	9 SATA

Playback and Backup

Playback Channel	16 CH
Search Mode	IVA Search/Time/Motion Detection
Playback Function	Play, Stop, Play Forward, Play Backward, 30 Seconds Forward, 30 Seconds Backward, Fast Play, Slow Play, Single Frame Play, Hide/Show Time Bar, Backup, Snapshot, Full Screen
Backup Mode	USB Device/Network

Video/Audio

Max. IPC Input	4CH Face+ 32CH Regular
Audio Input	1CH Input
Audio Output	1CH Output
Two-way Talk	Supported

Recording

Video Compression	H.265+/H.265/H.264+/H.264
Recording Resolution	8MP/5MP/3MP/1080P/960P/720P
Incoming Bandwidth	216Mbps
Bitrate	16-8000Kbps
Record Mode	Manual/External Alarm/Motion/Scheduled/IVA Alarm

Network

Network Protocol	TCP/IP, HTTP, DDNS, SMTP(SSL), DHCP, PPPoE, UPnP, NTP, P2P
Max. Online User	10
Mobile App	AntarView Pro
Interoperability	Onvif Profile S, SDK

Power

Power Supply	AC100~240V, 47Hz~63Hz
Consumption	35W without HDD

General

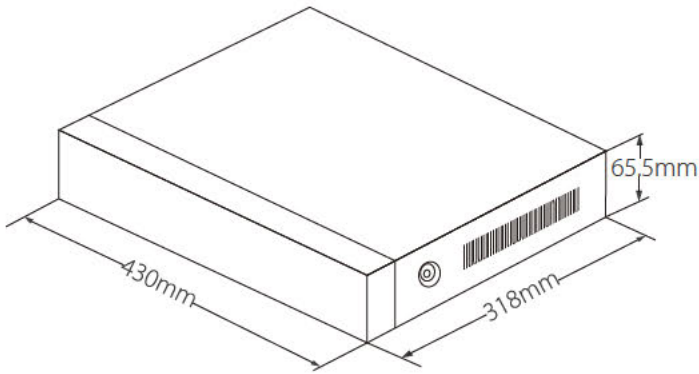
Working Temperature	-10°C~+55°C	
Working Humidity	10~90%	
Dimensions	430mm*318mm*65.5mm	412mm*430mm*87mm
Net Weight	5.5KG	7KG
Gross Weight	6KG	7.5KG

Ordering Information

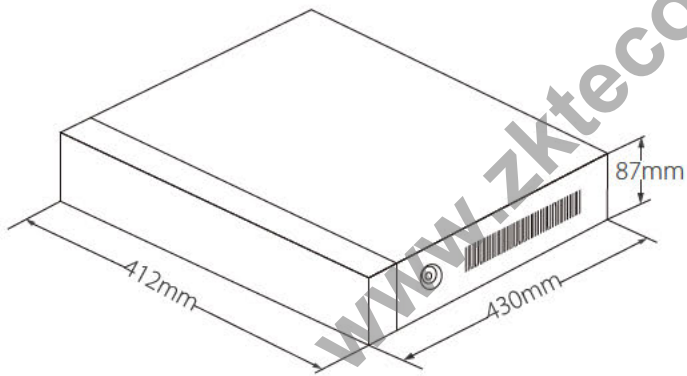
Type	Part Number	Description
Facial Recognition NVR	Z8536NMR-4F	4-channel Facial Recognition NVR, 4 sata
	Z8536NHR-4F	4-channel Facial Recognition NVR, 9 sata

Dimensions (mm)

Z8536NMR-4F



Z8536NHR-4F



www.zkteco.com

