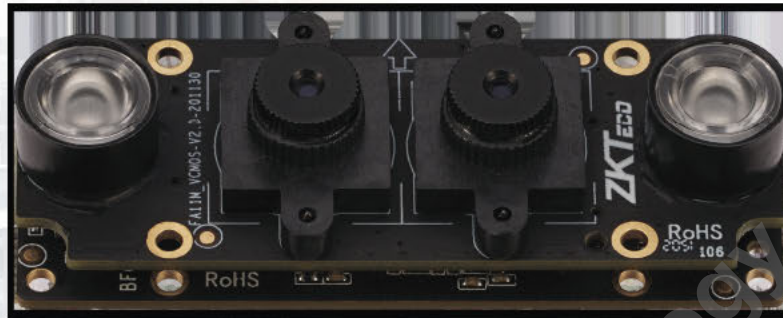


# FA11M

## Dual-camera Face Capture Module



FA11M is a high-performance face capture module that combines with visible light and near-infrared cameras. It is equipped with binocular wide dynamic image sensors and an aspherical distortion-free camera and near-infrared illumination lights.

FA11M has a built-in 400MHz high-performance processor; it supports USB interface power supply and communication. FA11M supports a variety of mainstream operating systems, including Windows XP, Windows 7, Windows 10 (32 and 64-bit), and Android 4.1 or higher.

We also provide ZKNIRface SDK and ZKLiveface SDK for simple integration with third-party applications and the development of facial recognition systems with high precision and large capacity.

### Features

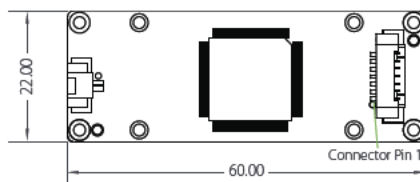
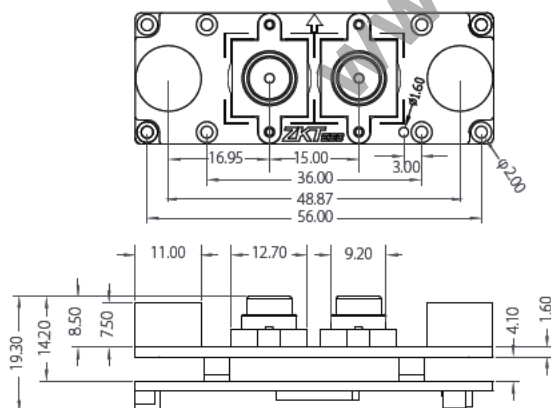
- Full HD WDR camera for face capture
- Compact size for flexible embedded installation
- An open interface supporting secondary development to realize value-added

### Specifications

Sensor	CMOS	Dual 1 / 2.7 HDR CMOS sensor
	Dynamic Range	83dB
	Grayscale	256 levels
	Angle of view	Horizontal viewing angle of 40°, vertical viewing angle of 65°
	Image Size (W*H)	480 * 640

OS	Windows	Windows XP / Windows 7 / Windows 10 (32 and 64-bit)
	Android	Android 4.1 or higher
H/W	Interface	USB 2.0
	Power Consumption	<1.25W (standby); <2.0W (scanning)
	Power Supply	USB 5V
	Operating Temperature	-10°C ~ 45°C; 14°F ~ 113°F
	Operating Humidity	0 ~ 90% RH
	Dimensions (L*W*H)	60mm * 22mm * 18.3mm (±1mm)
	ZKNIRFace SDK	Algorithm Function
Capacity		6,000 templates
Accuracy		FRR=1.41% when FAR=0.001%
Recognition Time		<300ms (Quad-core Cortex-A9 up to 1.6GHz)
Algorithm Feature		Based on the near-infrared facial recognition technology, it can identify people with different colored skin
ZKLiveFace SDK	Algorithm Function	1:1, 1:N, gender classification, age estimation, human face detection
	Capacity	10,000 templates (max. 50,000)
	Accuracy	FRR=0.26% when FAR=0.01%
	Recognition Time	<400ms (Quad-core Cortex-A17 up to 1.8GHz)
	Algorithm Feature	Based on the visible light facial recognition technology, it has good face angle tolerance
Recognition Distance	40cm ~ 70cm (recommended)	
Certifications	CE, FCC, RoHS	

## Dimension (mm)



### Connector Pinout (7pin 1.25mm)

Pin 1	+5V
Pin 2	GND
Pin 3	Shield GND
Pin 4	USB D-
Pin 5	USB D+
Pin 6	Reserved
Pin 7	Reserved

