

DL-852T28B | W series

Starlight/WDR 2MP IR Dome Network Camera



- 1/2.8" 2MP STARVIS CMOS
- H.265 Dual-stream Encoding
- IR Effective Range 20~30m
- High Quality Motorized Lens 2.8~12mm
- IVA (Smart Function) Supported
- Multiple Web Browser Supported, IE/Safari/Chrome/Firefox
- P2P Cloud Function By Mobile App (AntarView Pro)
- Lightning Protection Up to 6KV
- IP67 Ingress Protection
- Built-in PoE
- Support Antiriot IK10



System Overview

W series 2MP IP cameras are project-oriented solution which is powered by starlight, true WDR, and advanced cutting-edge for video monitoring.

It delivers crystal clear images and supports industry-leading IVA smart event alarm.

Cloud function is built-in for every device, which are more convenient and flexible for real-time and remote viewing.

Functions

H.265

Delivering high quality video with up to 70% lower bandwidth. H.265 is the evolutionary optimization of H.264 and traditional H.264. The H.265 includes a series of encoding strategy such as Dynamic ROI and smart 2D&3D noise reduction.

IVA (Intelligent Video Analysis)

It allows detection on multiple object behaviors, such as Tripwire, Intrusion, Objects Detection, Target Counting etc.

Protection

With precise mechanical and rugged casing design, it stands against water and dust with industrial IP67 rank.

Supports $\pm 30\%$ input voltage tolerance, it could work safely in extreme unstable power condition.

With working temperature range from -30°C to $+60^{\circ}\text{C}$, it works well in a variety of harsh outdoor environments.

Technical Parameters

Camera

Model	DL-852T28B	Flash/DDR	128MB/512MB
Image Sensor	1/2.8" 2MP STARVIS CMOS	S/N Ratio	More than 52dB
Min. Illumination	0.006Lux/F1.6 (color) 0 Lux with IR on	IR Distance	20~30m
Effective Pixels	1920(H)*1080(V)	IR LED No.	4

Lens

Focal Length	Motorized 3.35~10.5mm	FOV	41°~106°
Aperture	F1.6		

Video

Compression	H.265/H.264	WDR	120dB
Resolution	1080P(1920*1080)/1.3MP(1280*960)/720P(1280*720) Q720P(640*360)/CIF(352*288)	Day/Night	Auto(ICR)/Color/B/W
Bit Rate Control	CBR/VBR	White Balance	Supported
Bit Rate	16Kbps-8Mbps	Defog	Supported
Streaming	2 streams	Noise Reduction	3D DNR
Frame Rate	Main stream: 1920*1080(1~20fps) Sub stream: 704*576(1~25/30fps)	Mirror	Supported
Digital Zoom	12x	Flip	Supported
Audio Compression	G.711u	BLC	Supported
		ROI	Support 4 fixed region for main stream and sub stream separately
		Anti-flicker	Supported
		Privacy Mask	4 Areas

Alarm & Audio

Video Detection	Motion Detection, Video Shelter	IVA	Tripwire/Intrusion/Abandon/Missing/ Target Counting/ Video Shelter
Audio	1 channel audio input; 1 channel audio output optional		

Network

Ethernet	1 RJ-45 port(10/100Mbps)	Web Browsers	IE/Firefox/Chrome/Safari
Protocols	TCP/IP, UDP, HTTP, IGMP, ICMP, DHCP, RTP/RTSP/DNS, DDNS, FTP, NTP, PPPoE, UPNP, SMTP, SNMP	VMS	AntarVis 2.0
Onvif	Onvif Profile S	Mobile App	AntarView Pro
Max. Online Users	2	Platform	Mac OS/ Windows/iOS/Android

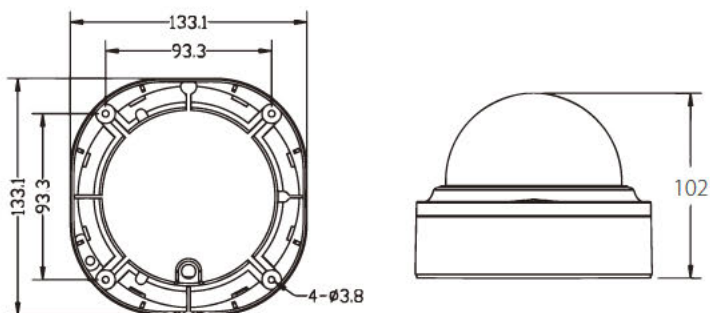
General

Working Temperature	-30°C~+60°C	Ingress Protection	IP67
Working Humidity	10~90%	Dimensions	Φ102*93.2mm
Power Supply	PoE, IEEE802.3af DC12V±10%	Net Weight	0.50KG
Power Consumption	<3W	Gross Weight	0.70KG

Ordering Information

Type	Part Number	Description
Face Detectin Camera	DL-852T28B	2MP Network Camera(3.35~10.5mm Lens)

Dimensions (mm)



www.zkteco.com

