

LPRS1000

License Plate Recognition Integrated Machine



LPRS1000 adopts a set of independent research and development of top-class license plate recognition algorithm, and combining with years of experience in industry application. No need to stop, and no need to swipe card. Quick access to the parking lot of the automatic license plate recognition mode, provides users with more intelligent, more convenient, more perfect experience.

LPRS1000 integrated with license plate recognition camera, LED display, voice broadcast, fill light, fixed base and other integrated structure, and has a simple and elegant appearance and multi-functional design. It is convenient for the installation of the engineering business and get rid of the large ticket box, which is widely used in parking lot management.

Features



Industry-leading LPR Algorithm

- Dr. team for algorithm development
- License plate recognition accuracy is over 99.7%
- License plate recognition speed is less than 200 ms



Automatic License Plate Recognition Mode

- No need to stop and swipe card
- Quick access to the parking lot
- More intelligent, more convenient, perfect user experience



Parking Management Software

- Customizable diversity of parking charging rules
- Can export various financial statements



Localized Display and Voice

- Real-time display of license plate number, time record, remaining empty parking spaces, parking fee and other information
- Localized voice broadcast



Easy Installation and Connectivity

- Camera, LED display, voice broadcast, fill light , fixed base as integrated design



Applicable to Outdoor

- Camera: IP65
- Integrated machine: IP54

Specifications

Model	LPRS1000
Recognition Rate	Day≥99.9%; Night≥99.7%
Recognition Distance	2-10Meters (Recommend Best Distance is 3.5-4m)
Recognition Time	≤200ms (Average)
Communication	TCP/IP
Interface	2 Relay, 2 Aux. Input, Audio Input And Output, 2 485 Output, Reset, Wiegand Out
Camera Lens	2MP, Auto Focus, Best Snap Range: 3.5-4Meters
Minimum Illumination	0.1Lux (Standard)
Standard Function	Automatic License Plate Recognition, Real-Time Display Information, Voice Broadcast , Customizable Charging Rules, Export Various Financial Statements, Blacklist And Whitelist Function, Fill Light ,Automatic Control Parking Barrier
Support Speed	15km/h
Support Country	Thailand, Argentina, Mexico, Indonesia, etc.
Software	ZKParking C/S Software
Power Consumption	80W
Power Supply	220V AC 50Hz
Operating Temperature	-20°C - +55°C
Relative Humidity	10%-90%
Weight	30Kg
Package Dimension(LxWxH)	340x220x1600 mm

Accessory Products



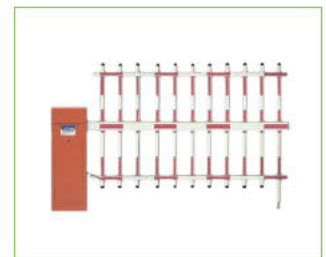
PB Series Automatic Barrier



ZK-BAR-A1-90 Automatic Barrier

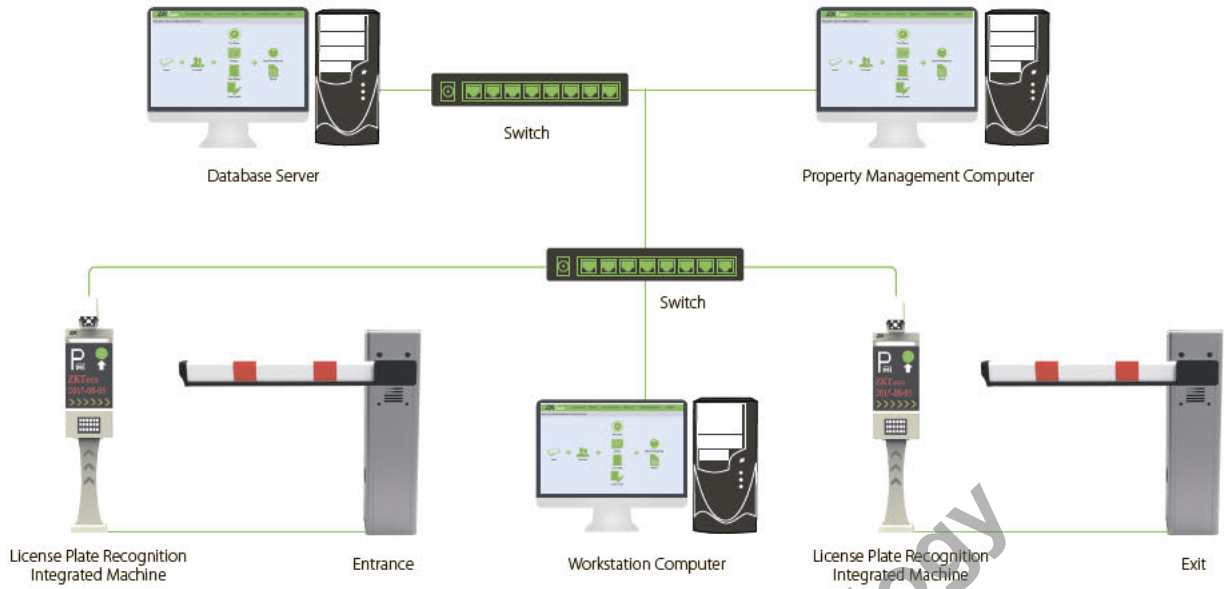


PBG Series Advertising Barrier

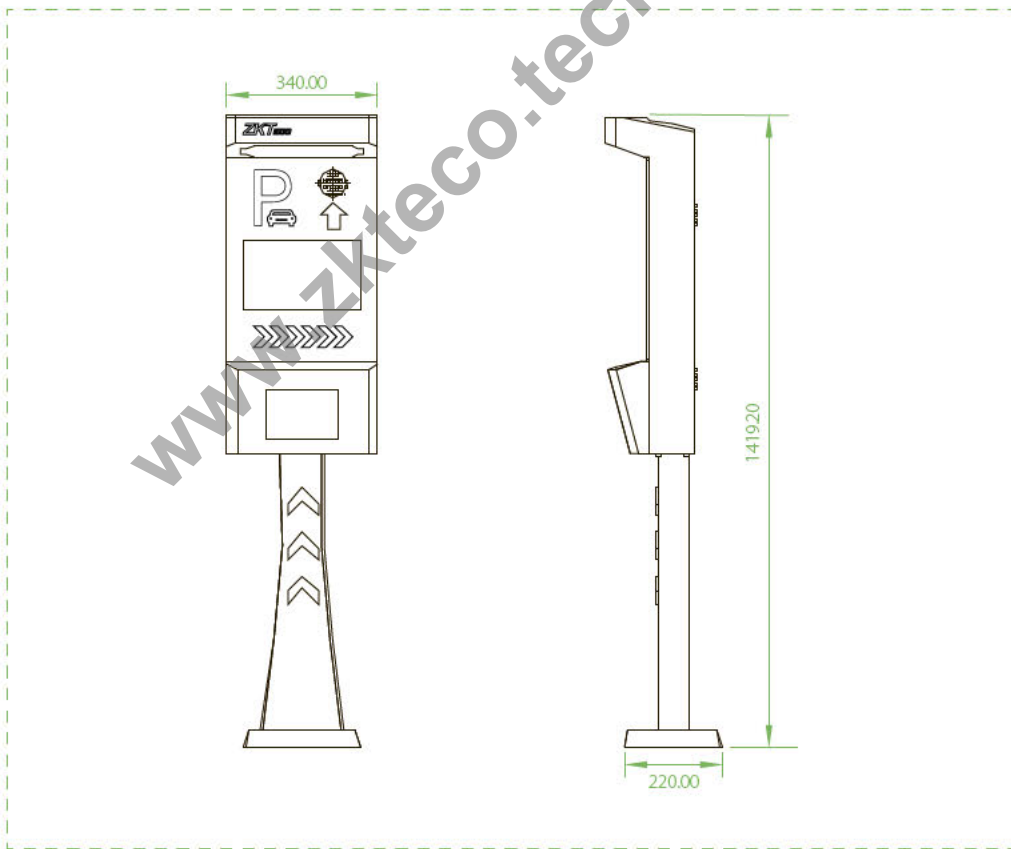


ZK-BAR-A1-3 Three Railing Barrier

Configuration



Dimensions (mm)



ZKTECO CO.,LTD.

© Copyright 2017, ZKTECO CO.,LTD. ZKTECO Logo is a registered trademark of ZKTECO or a related company. All other product and company names mentioned are used for identification purposes only and may be the trademarks of their respective owners. All specifications are subject to change without notice. All rights reserved.